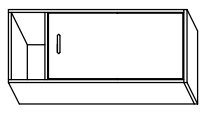
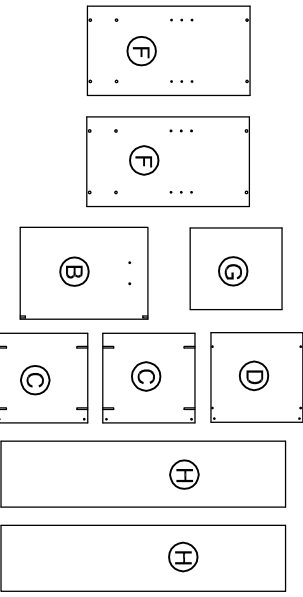


- 2 x q
- 4 x r
- 4 x s
- 2 x
- 4 x u

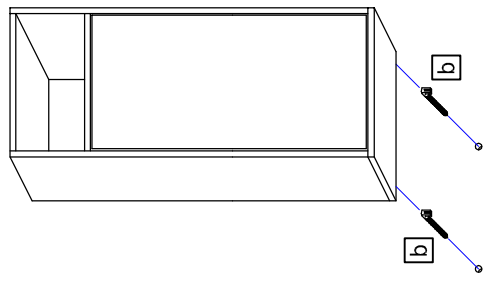
- 4.0 x 30
- 3.5 x 35
- 3.0 x 13
- 1 x m
- 2 x n
- 4 x o
- 2 x p

- 2 x f
- 1 x g
- 4 x h
- 2 x j
- 1 x k
- 1 x l
- 1 x m
- 1 x n
- 1 x o
- 1 x p
- 1 x q
- 1 x r
- 1 x s
- 1 x t
- 1 x u
- 1 x v
- 1 x w
- 1 x x
- 1 x y
- 1 x z

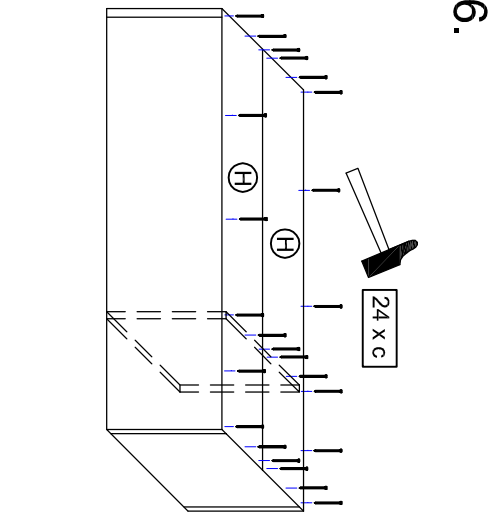
- 8 x a
- 8 x b
- 24 x c
- 1 x d
- 1 x e
- 1.4 x 25
- 1 x f
- 1 x g
- 1 x h
- 1 x i
- 1 x j
- 1 x k
- 1 x l
- 1 x m
- 1 x n
- 1 x o
- 1 x p
- 1 x q
- 1 x r
- 1 x s
- 1 x t
- 1 x u
- 1 x v
- 1 x w
- 1 x x
- 1 x y
- 1 x z



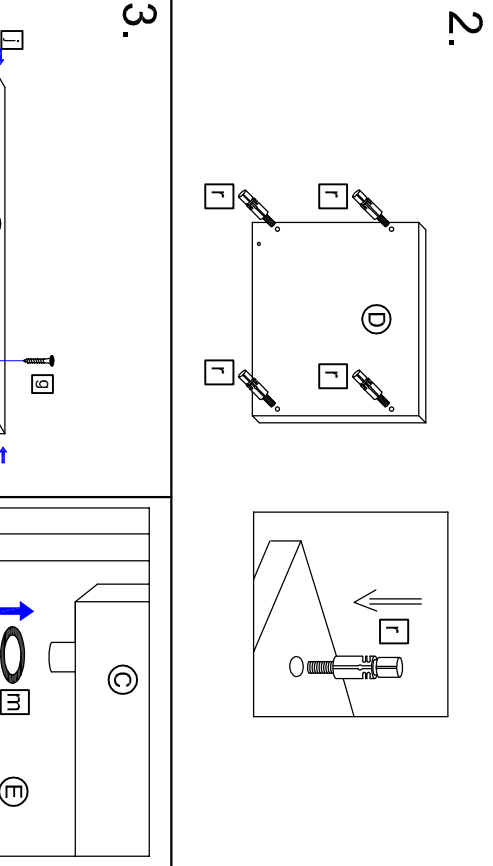
306-043231



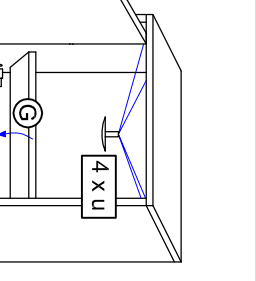
8.



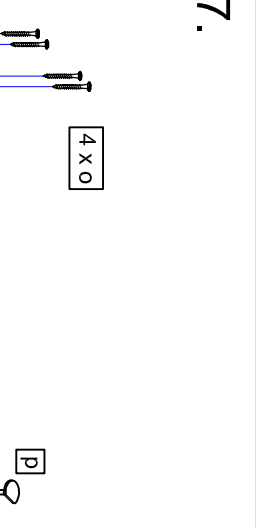
6.



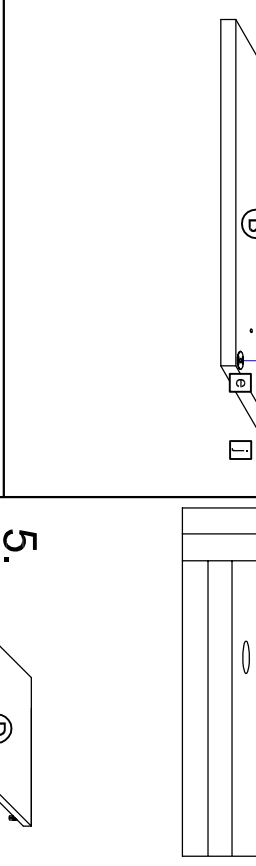
3.



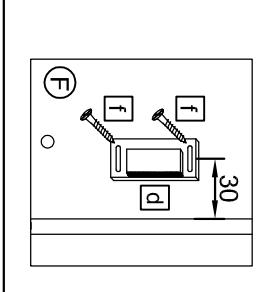
9.



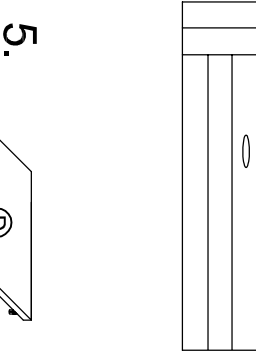
7.



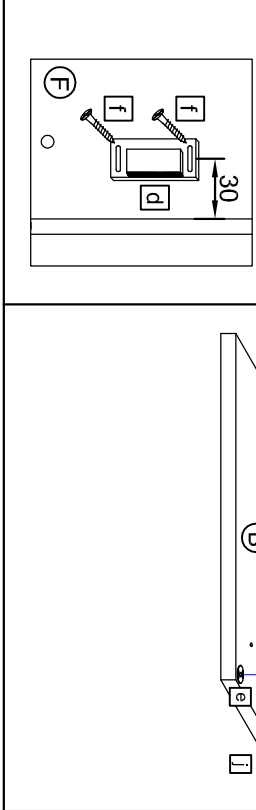
4.



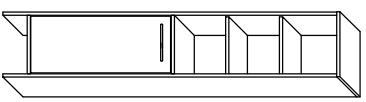
1.



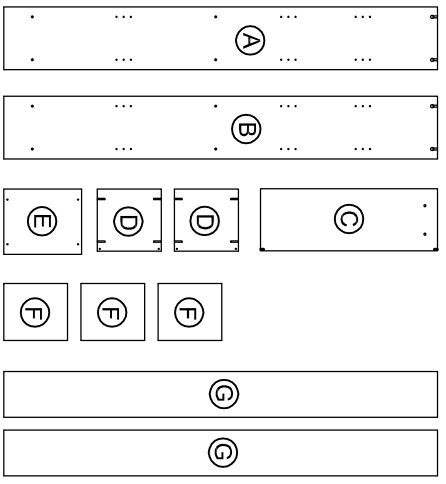
5.



2.

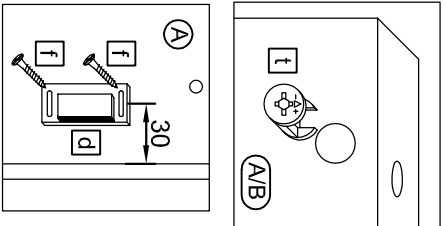
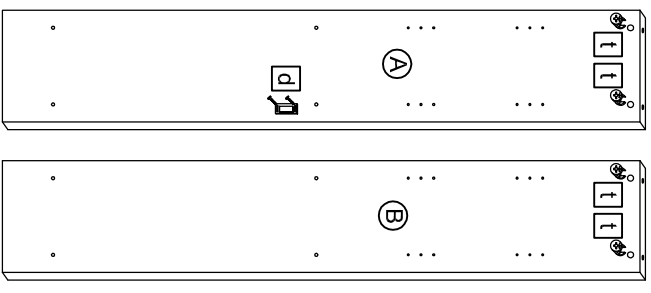


306-043227

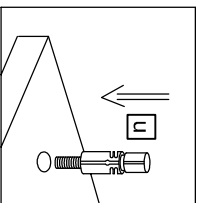
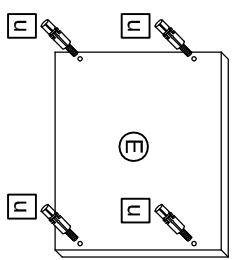
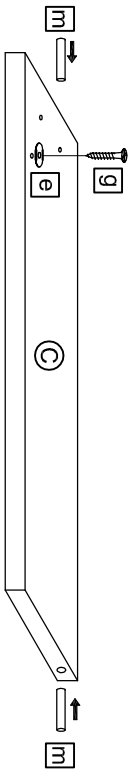


- | | | | | | | | |
|----------|--|--------|--|-------|--|-------|--|
| 8 x a | | 2 x f | | 2 x m | | 1 x s | |
| 8 x b f) | | 1 x g | | 1 x n | | 4 x t | |
| 26 x c | | 12 x h | | 1 x o | | 4 x u | |
| 1 x d | | 1 x j | | 1 x p | | 4 x h | |
| 1 x e | | 2 x k | | 2 x r | | | |

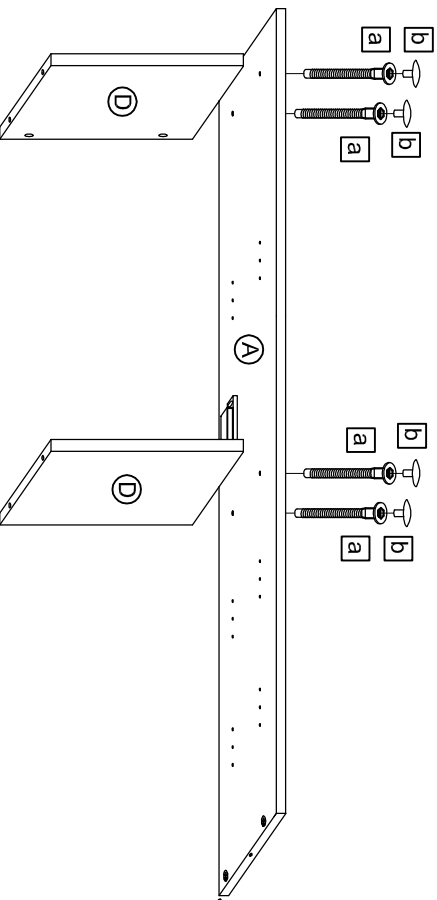
1.



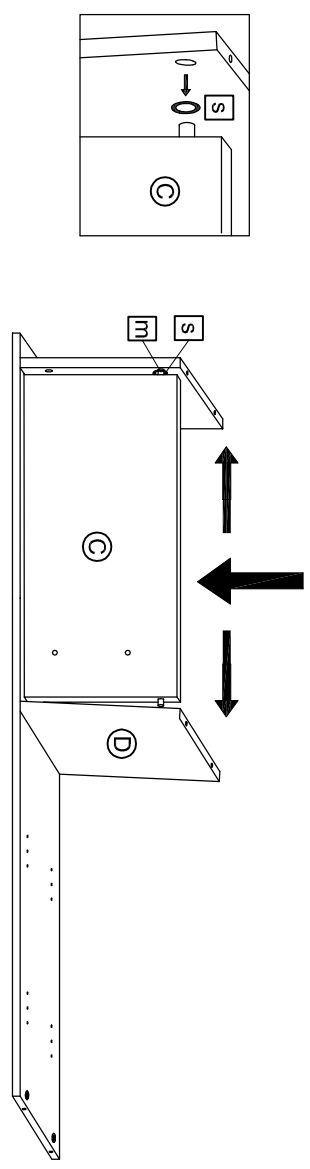
2.



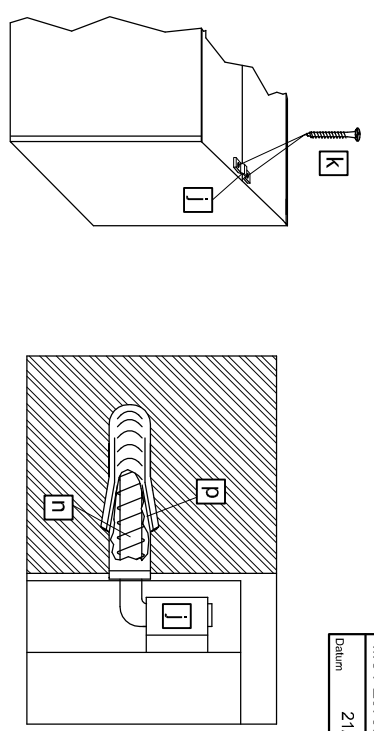
3.



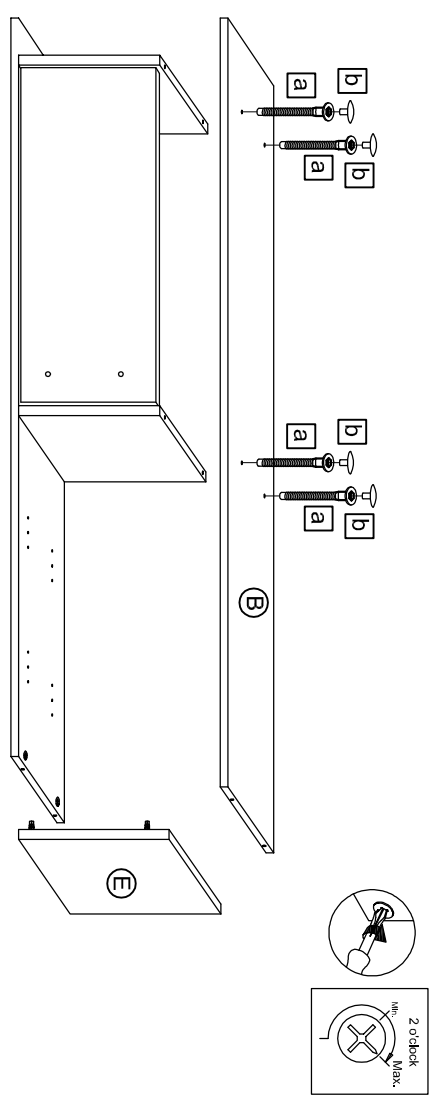
4.



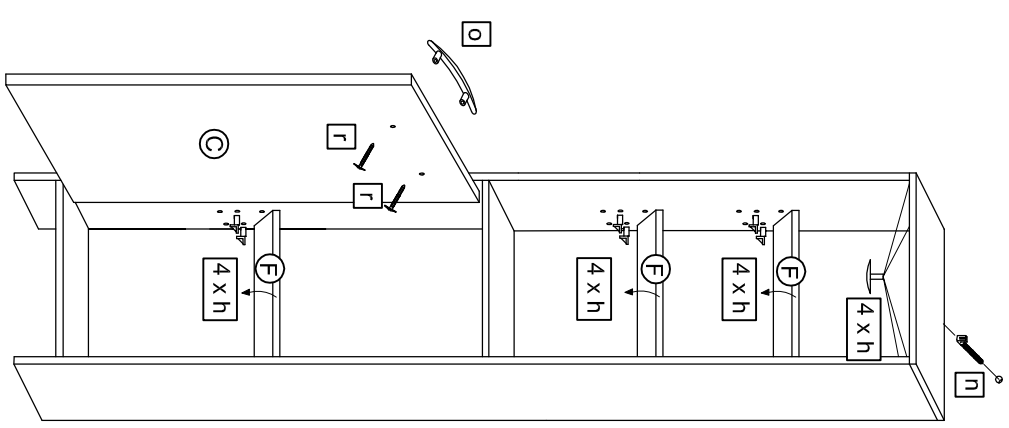
7.



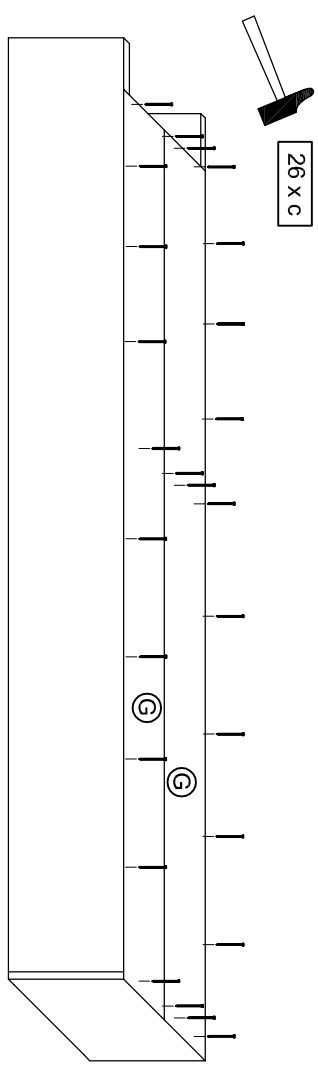
5.

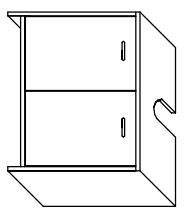


8.

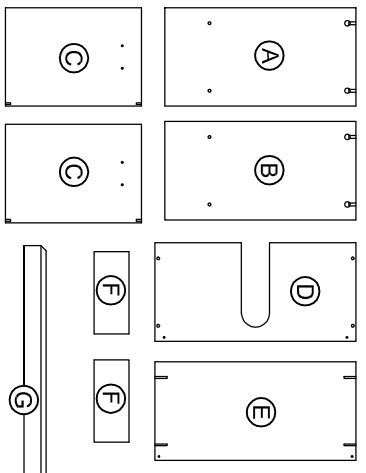


6.

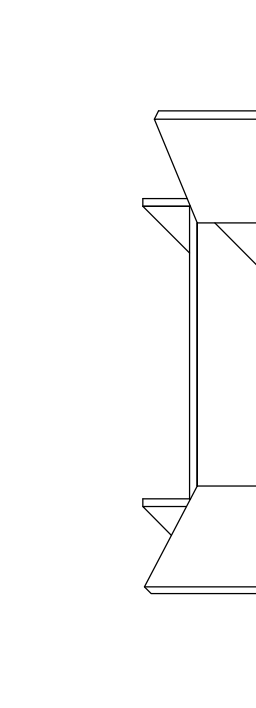
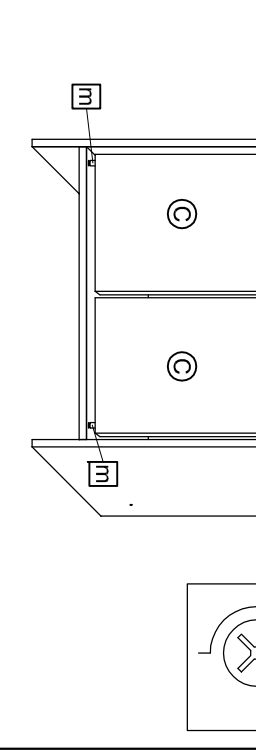
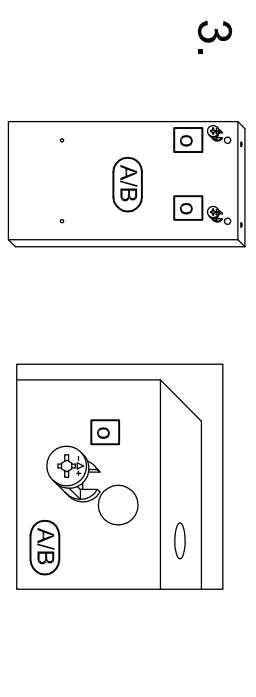
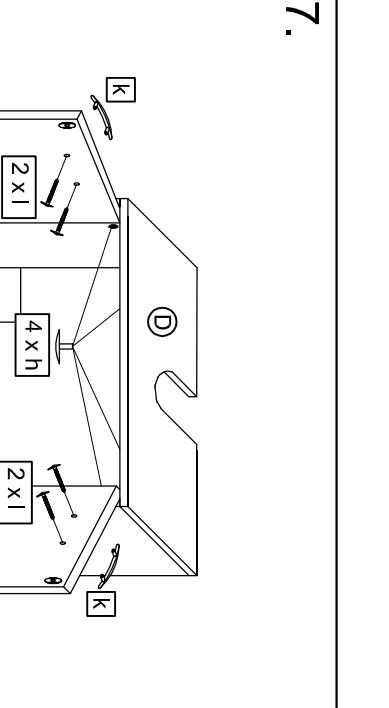
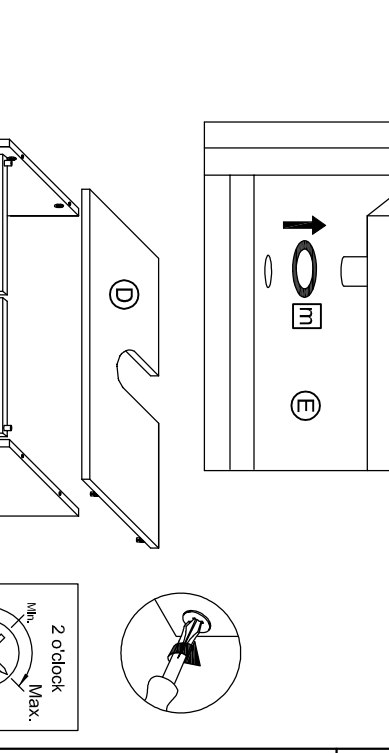
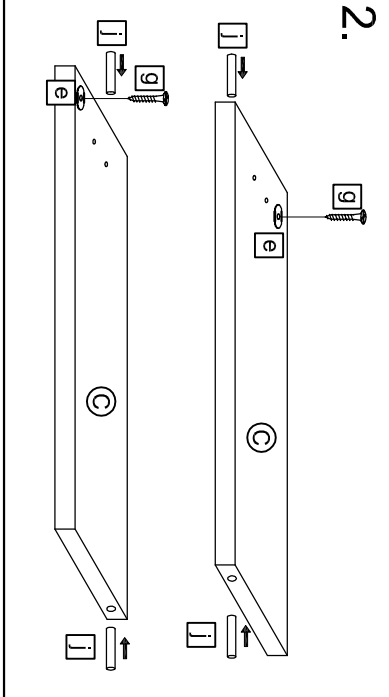
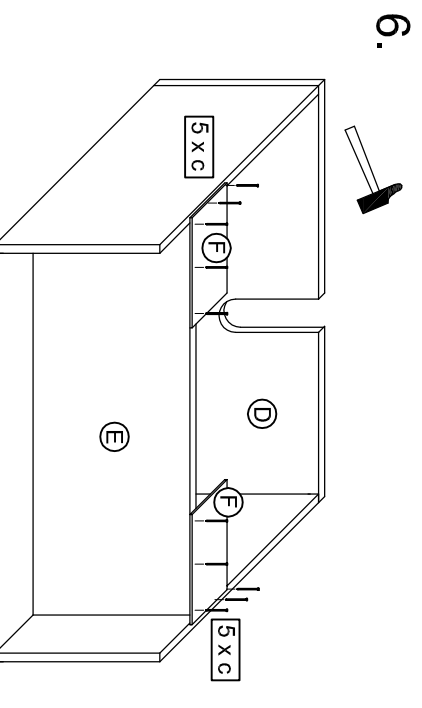
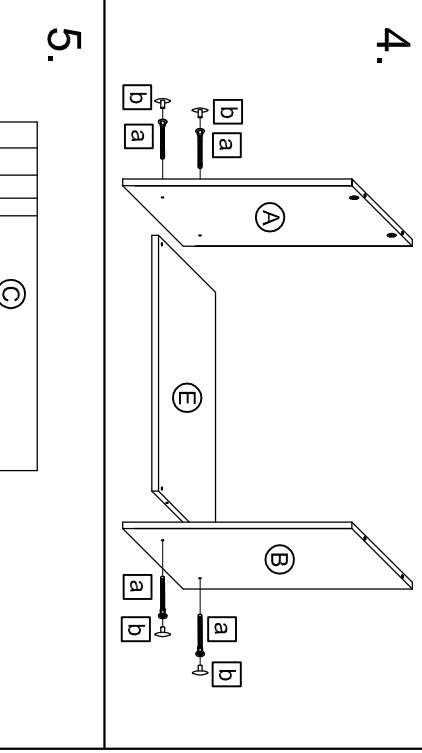
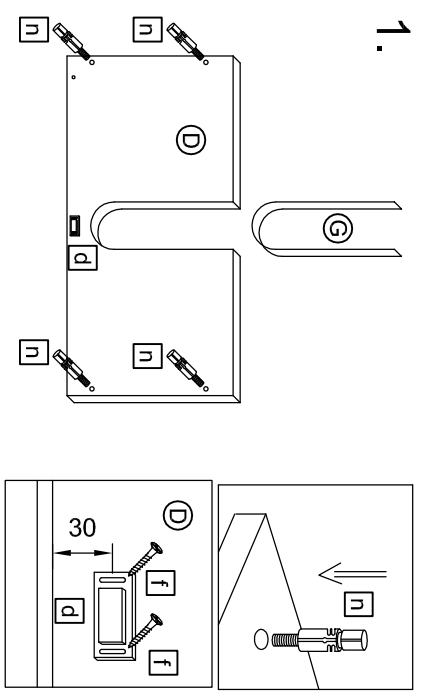




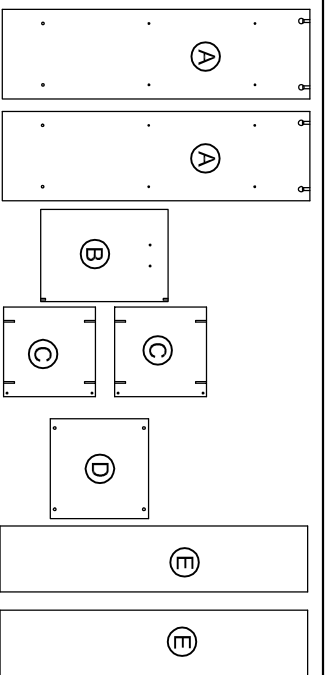
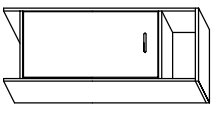
306-046017



- 4 x a
- 4 x b
- 10 x c
- 1 x d
- 2 x e
- 2 x f
- 2 x g
- 4 x h
- 4 x j
- 2 x k
- 4 x l
- 2 x m
- 4 x n
- 4 x o

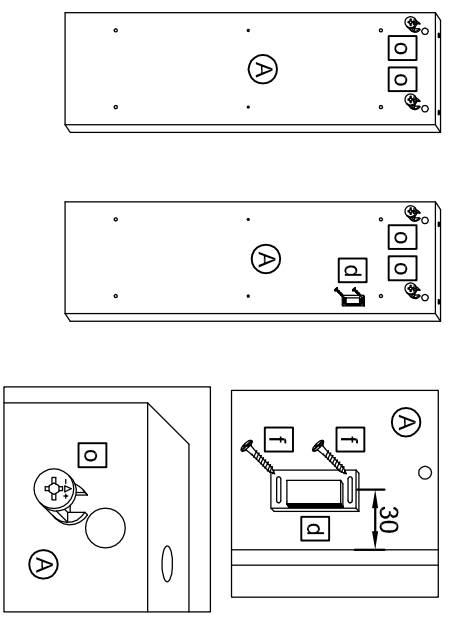


306-043241

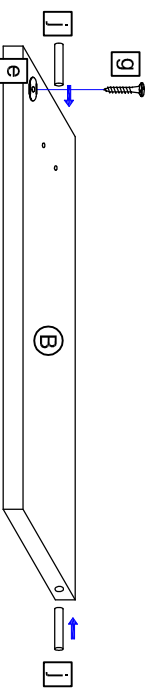


8 x a		1 x d		2 x j		4 x n	
8 x b		1 x e		1 x k		4 x n	
26 x c		2 x f		2 x l		4 x o	
	1.4 x 25	1 x g		1 x m		4 x p	

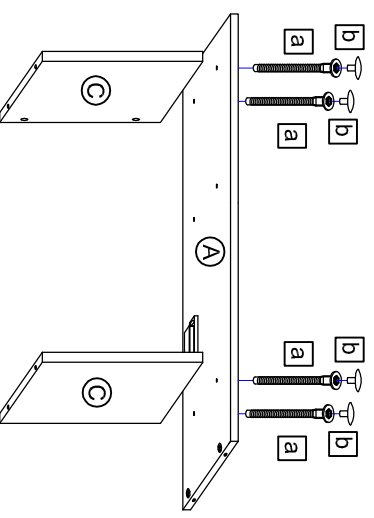
1.



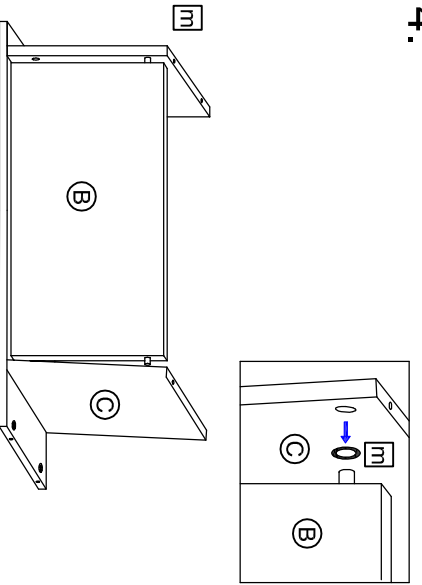
2.



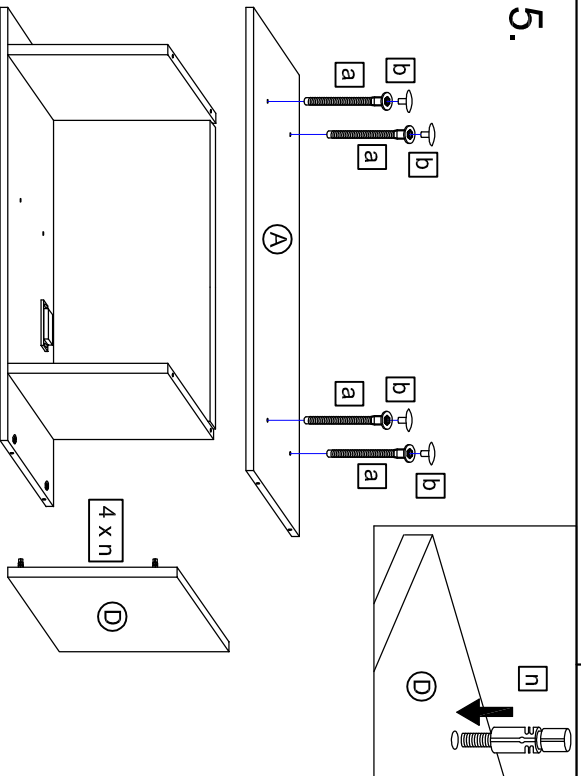
3.



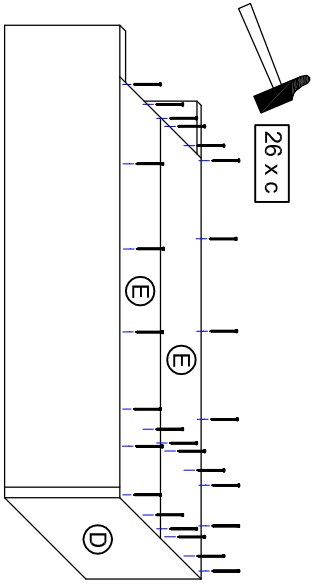
4.



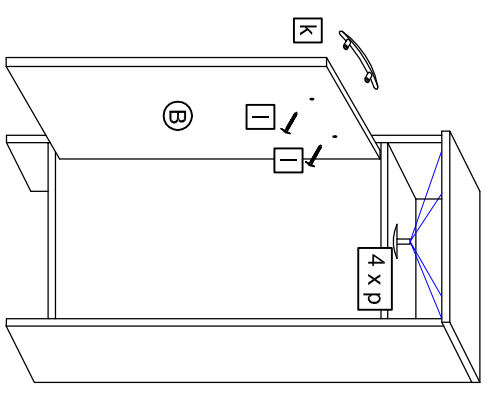
5.

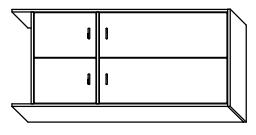


6.

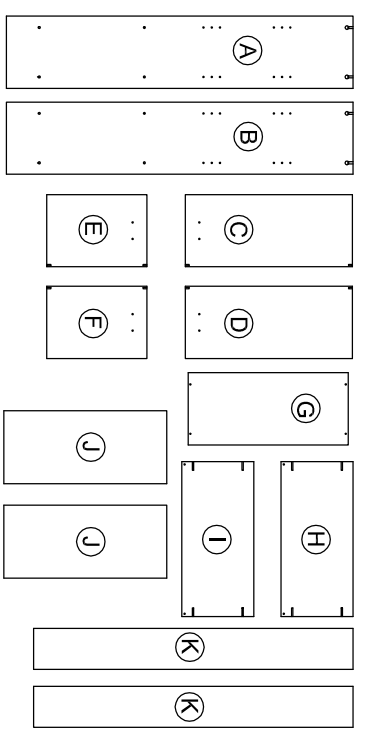


7.

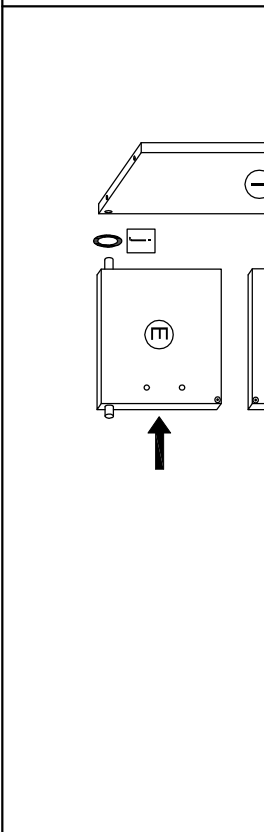
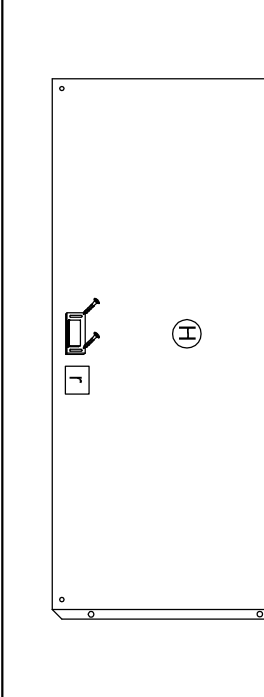
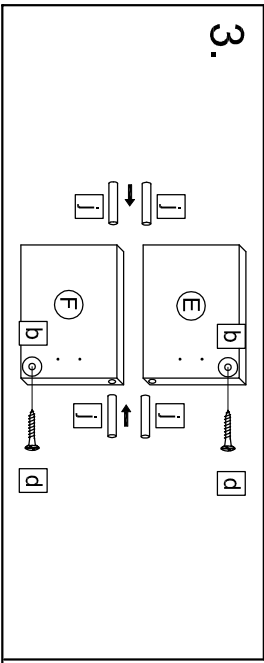
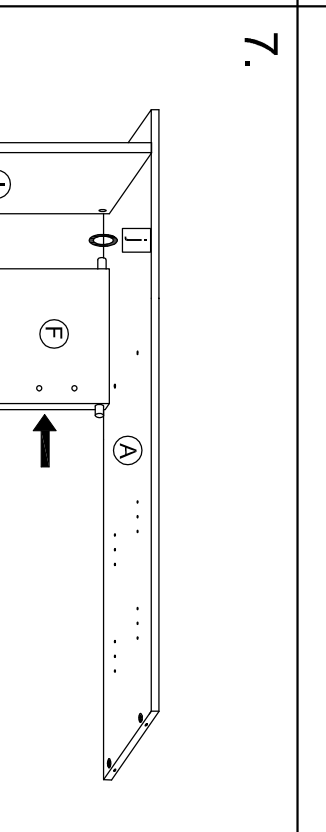
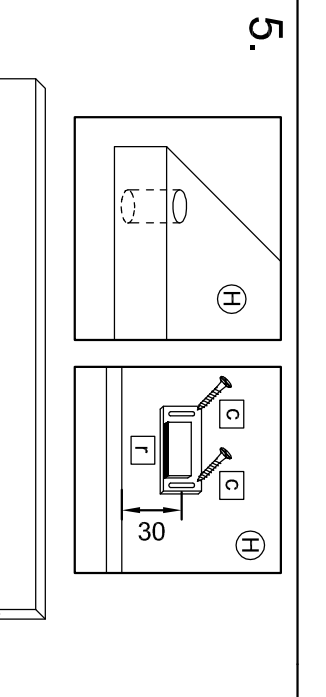
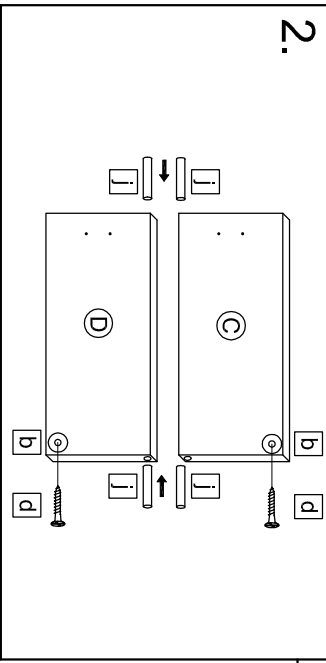
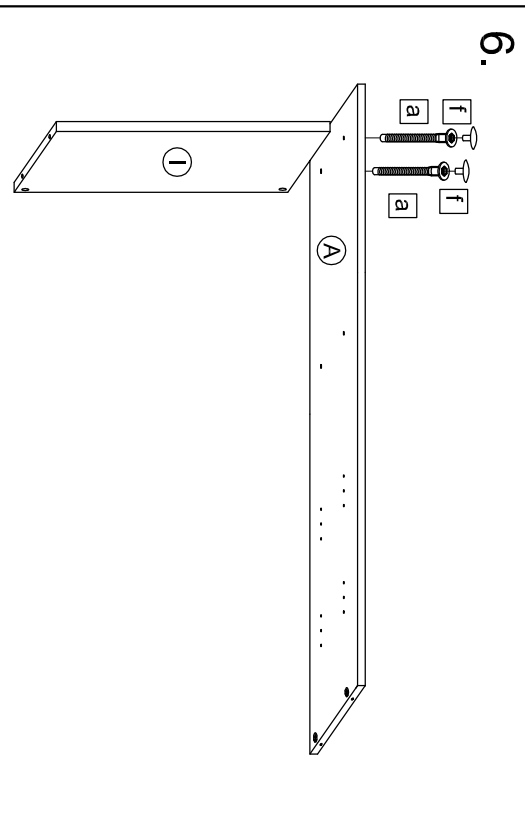
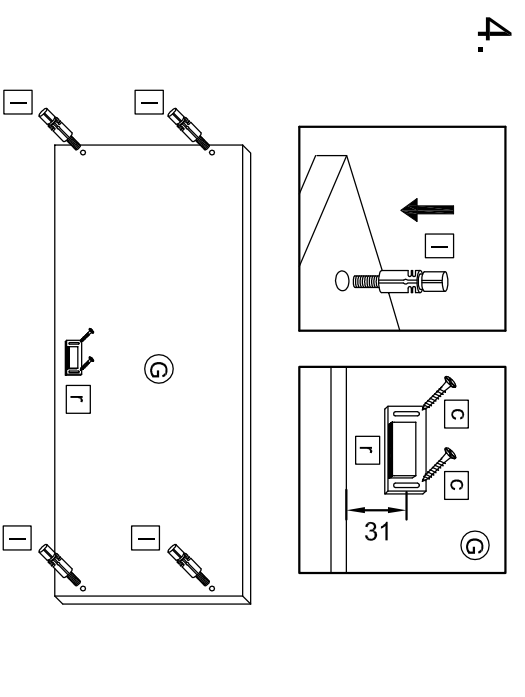
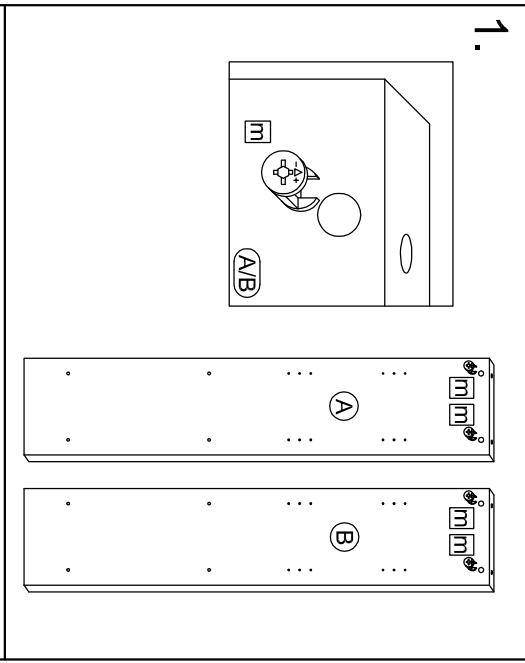




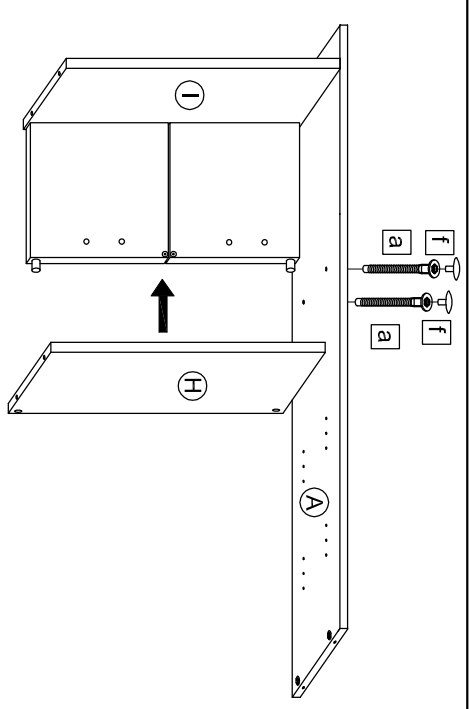
306-046055



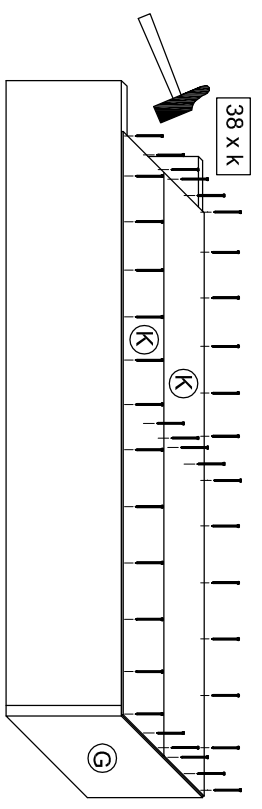
8 x a		8 x f		38 x k		14 x 25
4 x b		4 x g		4 x l		4 x p
4 x c		4 x h		4 x m		2 x q
4 x d		8 x i		8 x n		
4 x e		4 x j		1 x o		2 x r



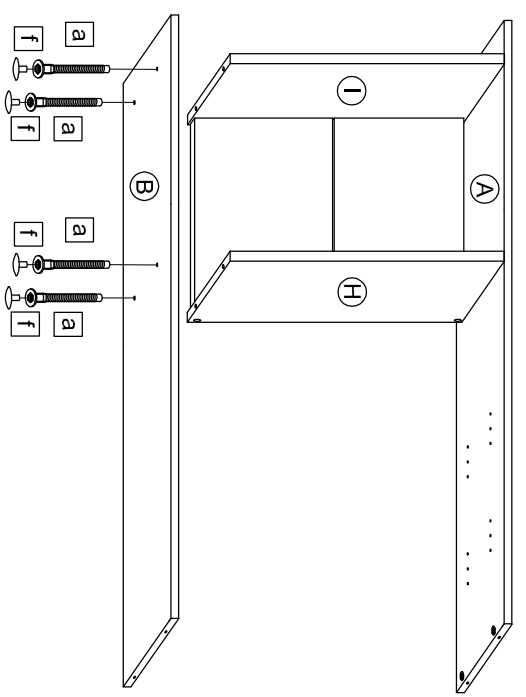
8.



11.



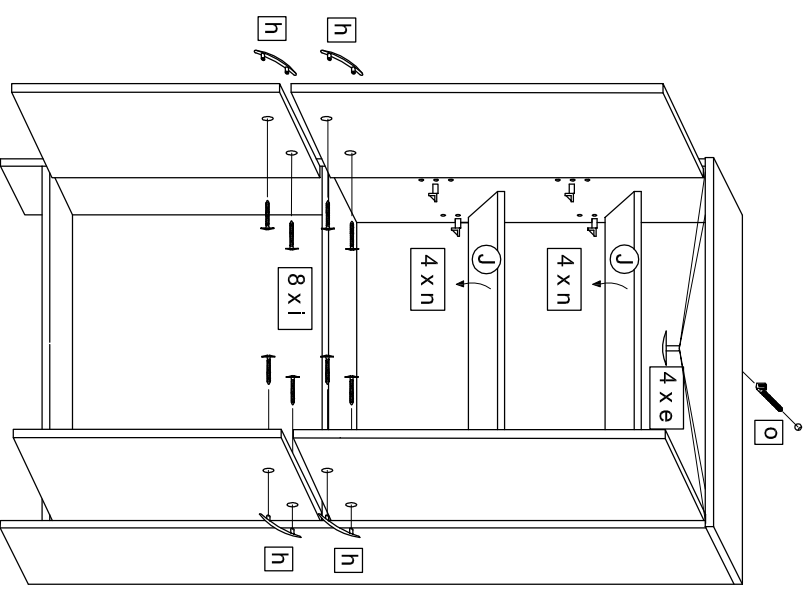
9.



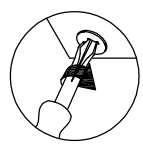
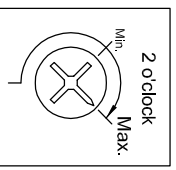
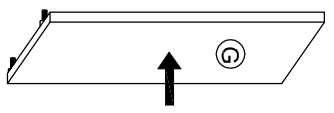
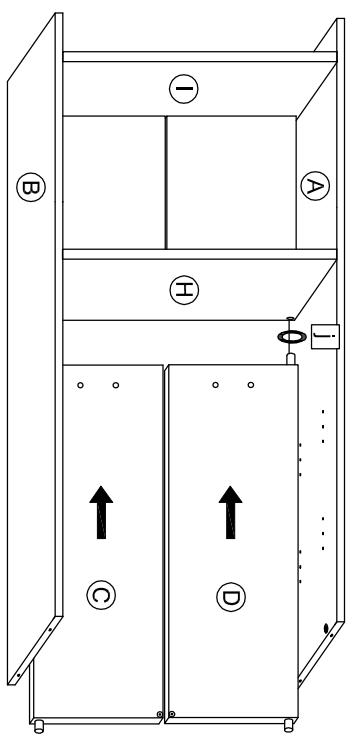
12.



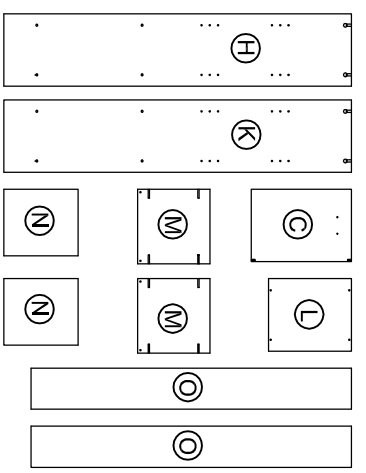
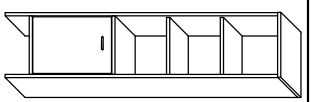
13.



10.



306-043255



- 8 x a 1 x e 2 x j
- 8 x b 2 x f 1 x k
- 38 x c 1 x g 2 x l 4 x o
- 1 x d 4 x h 1 x m
- 1 x e 2 x j 4 x n
- 2 x f 1 x k 1 x r
- 1 x g 2 x l 8 x p
- 4 x h 1 x m 1 x q
- 2 x s
- 4 x p
- 4 x h
- 1 x r
- 2 x s

